



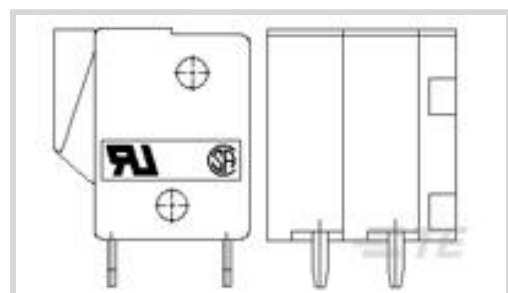
Buchanan

TE Internal #: 1776259-4

PCB Terminal Blocks, Header, Wire-to-Board, 4 Position, .197 in [5 mm] Centerline, 1 Row, Top Wire Entry Angle, 22 – 14 AWG Wire Size

[View on TE.com >](#)

Connectors > Terminal Blocks & Strips > PCB Terminal Blocks



Terminal Block Connector Type: **Header**

Connector System: **Wire-to-Board**

Number of Positions: **4**

Centerline (Pitch): **5 mm [.197 in]**

Number of Rows: **1**

Features

Product Type Features

Wire Protection	With
Block Type	PCB Mount
Terminal Block Connector Type	Header
Connector System	Wire-to-Board
Connector & Contact Terminates To	Printed Circuit Board

Configuration Features

Stacked Levels	Without
Closed End	Without
Number of Positions	4
Number of Rows	1
Wire Entry Angle	Top

Electrical Characteristics

Current Rating (Max)	10 A
Voltage Rating	300 VAC

Body Features

Interlock	Without
-----------	---------

Contact Features

Contact Mating Area Plating Material	Tin
--------------------------------------	-----



Contact Mount	Through Hole
---------------	--------------

Contact Base Material	Brass
-----------------------	-------

Contact Current Rating (Max)	10 A
------------------------------	------

Mechanical Attachment

Screwless Terminal Block	Yes
--------------------------	-----

Mounting Angle	Vertical
----------------	----------

Screw Flange	Without
--------------	---------

Connector Mounting Type	Board Mount
-------------------------	-------------

Housing Features

Housing Color	Green
---------------	-------

Housing Material	NY - FR15
------------------	-----------

Centerline (Pitch)	5 mm [.197 in]
--------------------	----------------

Dimensions

PCB Tail Length	3.1 mm [.13 in]
-----------------	-----------------

Wire Size	.3 – 2 mm ²
-----------	------------------------

Usage Conditions

Operating Temperature Range	-55 – 105 °C [-67 – 221 °F]
-----------------------------	-----------------------------

Operation/Application

Circuit Application	Power & Signal
---------------------	----------------

Packaging Features

Packaging Method	Carton
------------------	--------

Packaging Quantity	200
--------------------	-----

Product Compliance

[For compliance documentation, visit the product page on TE.com>](#)

EU RoHS Directive 2011/65/EU	Compliant
------------------------------	-----------

EU ELV Directive 2000/53/EC	Compliant with Exemptions
-----------------------------	---------------------------

China RoHS 2 Directive MIIT Order No 32, 2016	No Restricted Materials Above Threshold
---	---

EU REACH Regulation (EC) No. 1907/2006	Current ECHA Candidate List: JUNE 2022 (224) Candidate List Declared Against: JUNE 2022 (224) Does not contain REACH SVHC
--	---

Halogen Content

Low Halogen - Br, Cl, F, I < 900 ppm per homogenous material. Also BFR/CFR/PVC Free

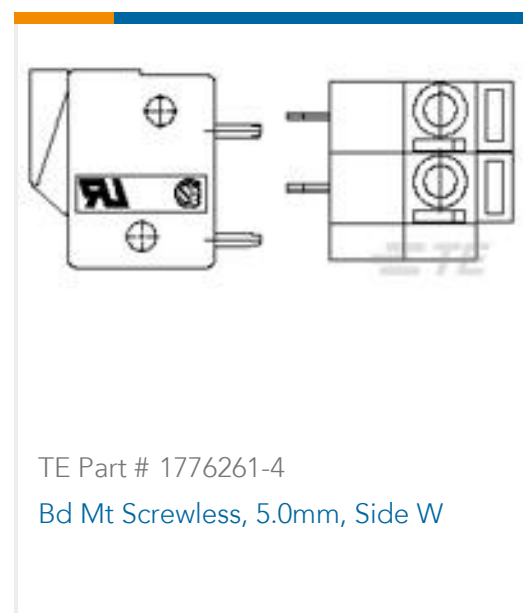
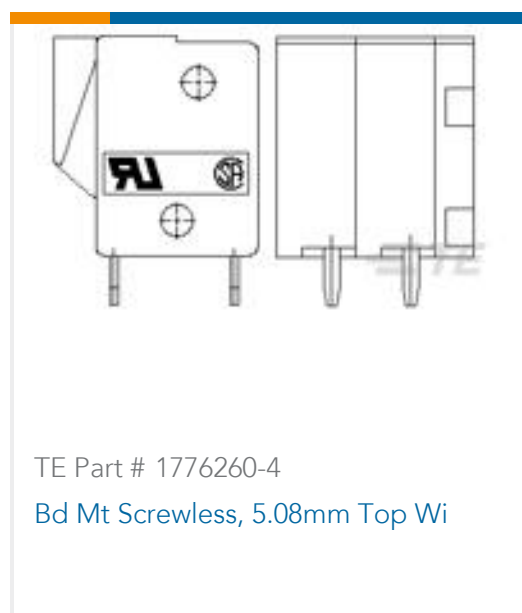
Solder Process Capability

Wave solder capable to 265°C

Product Compliance Disclaimer

This information is provided based on reasonable inquiry of our suppliers and represents our current actual knowledge based on the information they provided. This information is subject to change. The part numbers that TE has identified as EU RoHS compliant have a maximum concentration of 0.1% by weight in homogenous materials for lead, hexavalent chromium, mercury, PBB, PBDE, DBP, BBP, DEHP, DIBP, and 0.01% for cadmium, or qualify for an exemption to these limits as defined in the Annexes of Directive 2011/65/EU (RoHS2). Finished electrical and electronic equipment products will be CE marked as required by Directive 2011/65/EU. Components may not be CE marked. Additionally, the part numbers that TE has identified as EU ELV compliant have a maximum concentration of 0.1% by weight in homogenous materials for lead, hexavalent chromium, and mercury, and 0.01% for cadmium, or qualify for an exemption to these limits as defined in the Annexes of Directive 2000/53/EC (ELV). Regarding the REACH Regulation, the information TE provides on SVHC in articles for this part number is based on the latest European Chemicals Agency (ECHA) 'Guidance on requirements for substances in articles' posted at this URL: <https://echa.europa.eu/guidance-documents/guidance-on-reach>

Compatible Parts



Documents

Product Drawings

Bd Mt Screwless, 5.0mm Top Wir

English

CAD Files

Customer View Model

[ENG_CVM_1776259-4_O2.3d_igs.zip](#)

English

Customer View Model

[ENG_CVM_1776259-4_O2.3d_stp.zip](#)

English

Customer View Model

[ENG_CVM_1776259-4_O2.2d_dxf.zip](#)

English

3D PDF

English

3D PDF



3D

Customer View Model

[ENG_CVM_CVM_1776259-4_R.2d_dxf.zip](#)

English

Customer View Model

[ENG_CVM_CVM_1776259-4_R.3d_igs.zip](#)

English

Customer View Model

[ENG_CVM_CVM_1776259-4_R.3d_stp.zip](#)

English

By downloading the CAD file I accept and agree to the [Terms and Conditions](#) of use.

Datasheets & Catalog Pages

[Eurostyle Terminal Blocks Focus Product Stock List](#)

English

[BUCHANAN TERMINAL BLOCKS CATALOG - EUROSTYLE TERMINAL BLOCKS](#)

English

[1-1773458-1_EURO_STYLE_TERMINAL_BLOCKS_QRG](#)

English